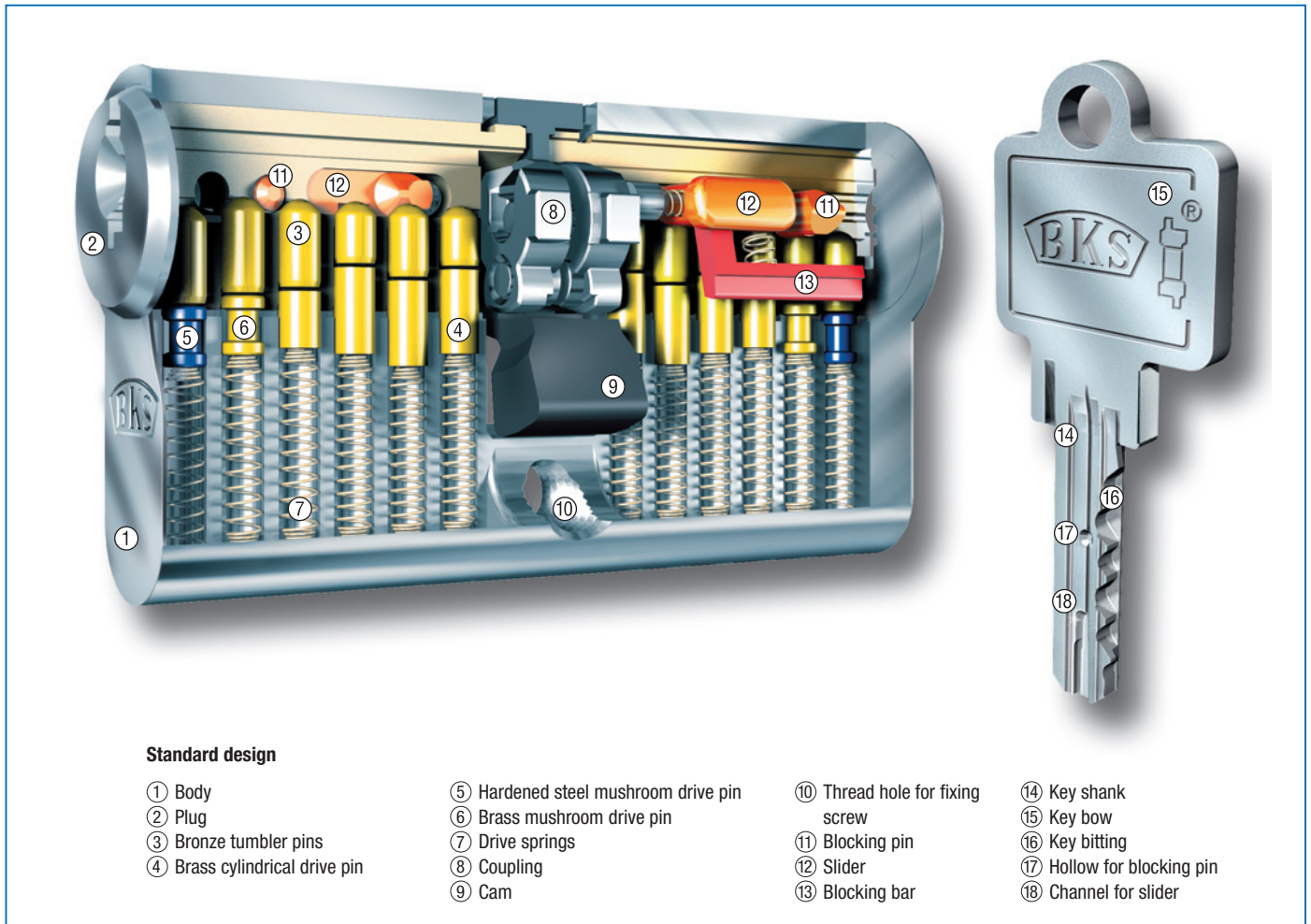


Sophisticated reversible key technology featuring 2 independent security systems



Standard design

- ① Body
- ② Plug
- ③ Bronze tumbler pins
- ④ Brass cylindrical drive pin

- ⑤ Hardened steel mushroom drive pin
- ⑥ Brass mushroom drive pin
- ⑦ Drive springs
- ⑧ Coupling
- ⑨ Cam

- ⑩ Thread hole for fixing screw
- ⑪ Blocking pin
- ⑫ Slider
- ⑬ Blocking bar

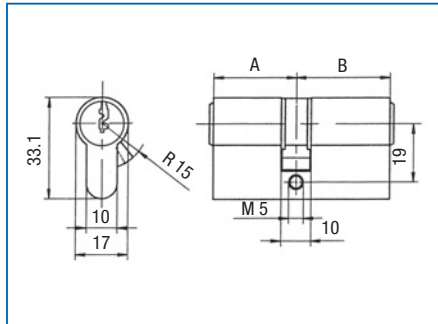
- ⑭ Key shank
- ⑮ Key bow
- ⑯ Key bitting
- ⑰ Hollow for blocking pin
- ⑱ Channel for slider

BKS locking cylinder series according to EN 1303 and DIN 18252

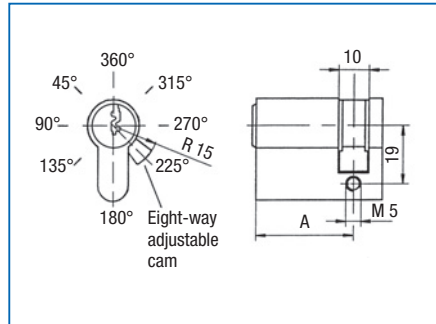
Reversible key system with 6-pin profile cylinders and paracentric key profile, additional locking bar, spring-loaded slider and blocking pin; **suitable for registered differ and keyed alike applications or locking suites with security card**; 3 nickel silver keys for registered differ, number of keys for locking suites as required. Cylinder body of nickel-plated or matt brass, without rosette, with fixing screw M5 x 80 mm of nickel-plated steel.

Overview of cylinder variants

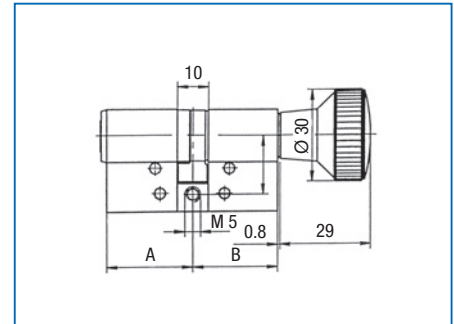
Double cylinder 5150/5152



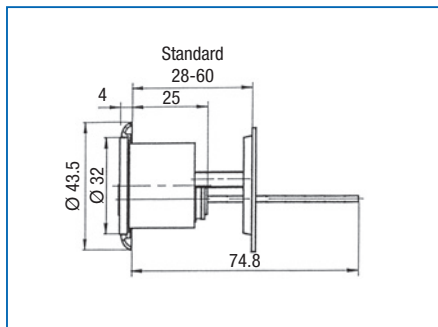
Half cylinder 5151



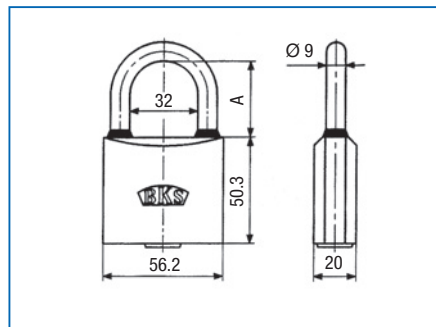
Knob cylinder 5156



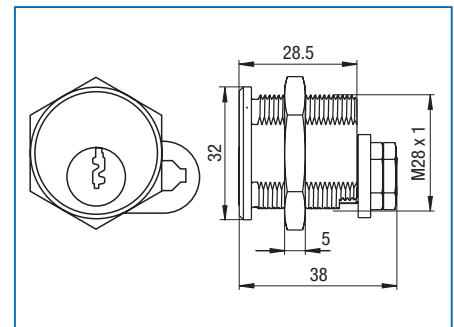
Rim cylinder 5159



Brass padlock 5158



Cam cylinder 5166



Options and advice:

Order length (BL) and emergency function

Available from BL 31/31; emergency function on both sides as an option. The emergency function on double cylinders allows the cylinder to be operated even if a key is inserted on the other side of the cylinder.

Drill protection

Available as an option: certificated anti-drill features BSKA (two pairs of electro-plated hardened steel pins on each side of cylinder) and BSKB (outside A with two pairs of electro-plated hardened steel pins and two hard metal drill protection pins each in plug and body).

Drill and picking protection

Optional certificated security features: cylinder body secured against being drilled and picked (BZKB); cylinder body and plug secured against being drilled (BSKB); plug pin securing a broken cylinder body behind the backplate of security fittings.

SKG approval

Double, half and knob cylinders with  certification available on request.

Combinations with cylinder series 50 possible.

Gretsch-Unitas GmbH Baubeschlage
Johann-Maus-Str. 3 · D-71254 Ditzingen
Tel. + 49 (0) 71 56 301-0 · Fax + 49 (0) 71 56 301-293

BKS GmbH
Heidestr. 71 · D-42549 Velbert
Tel. + 49 (0) 2051 201-0 · Fax + 49 (0) 2051 201-431

www.g-u.com